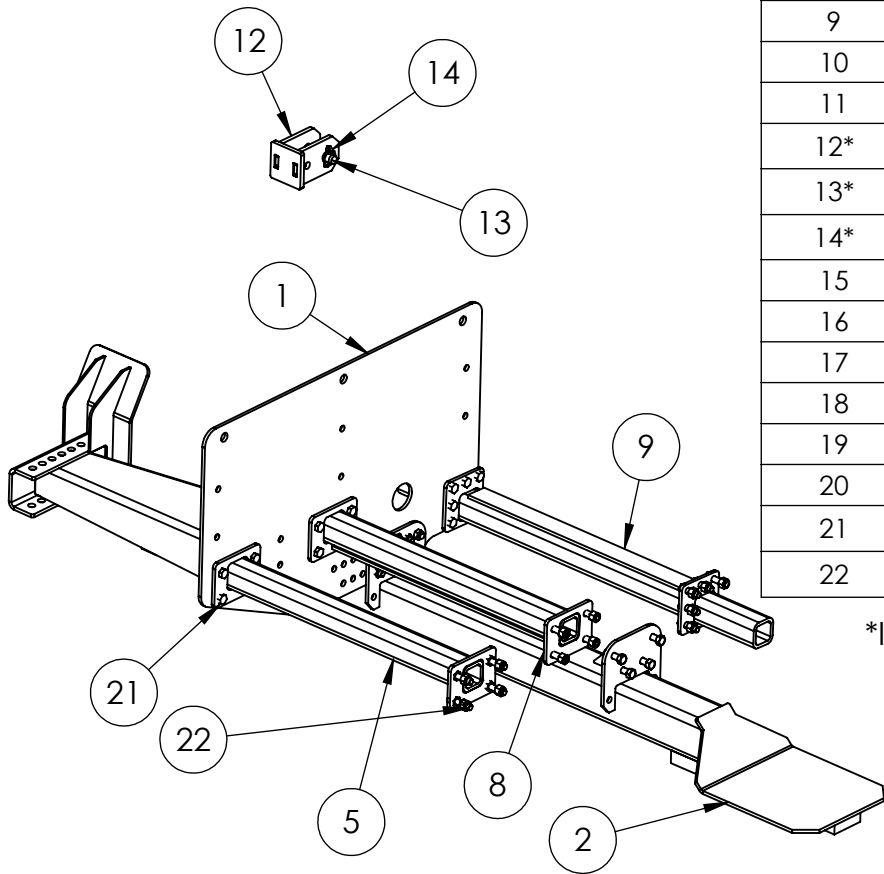



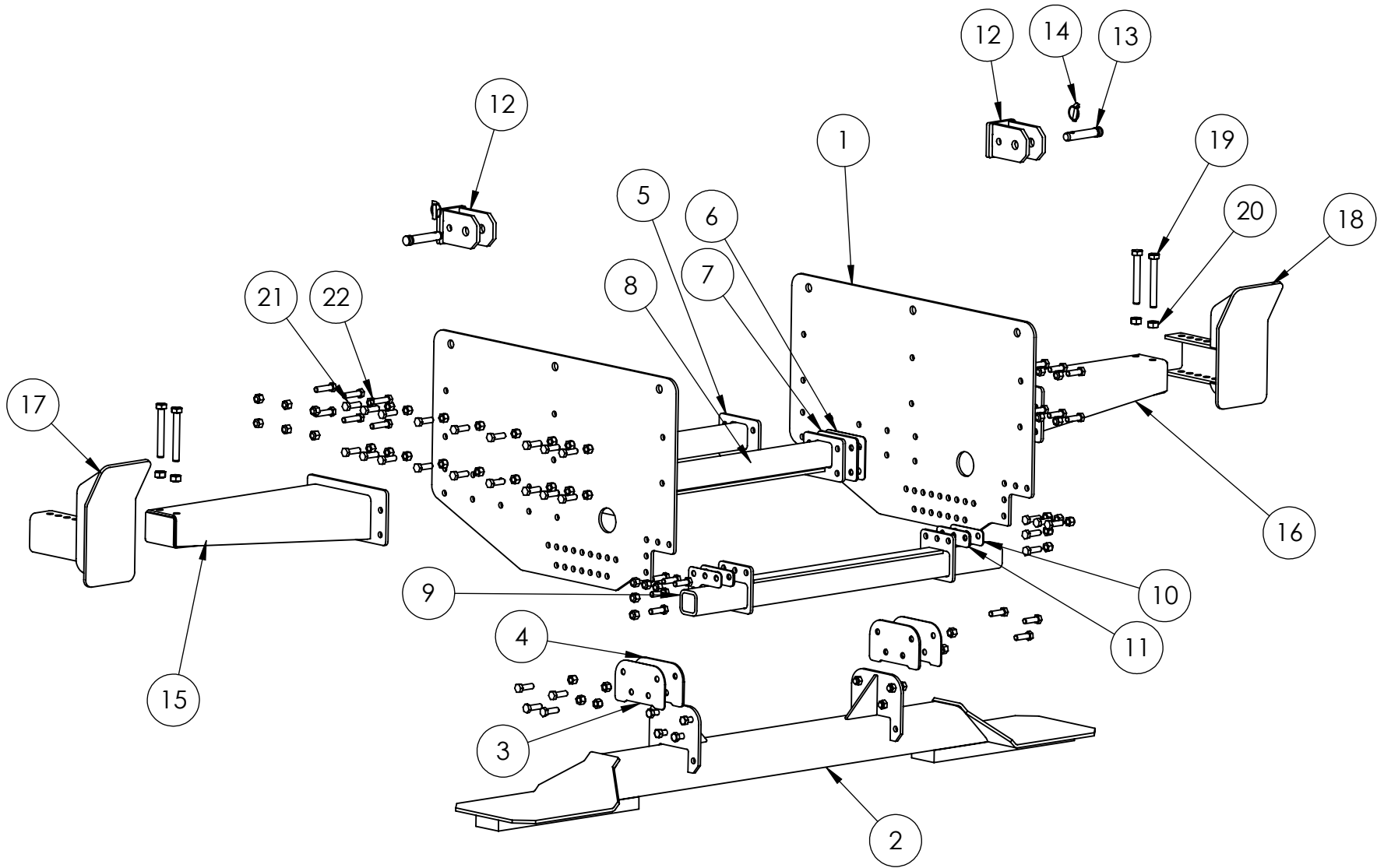
ITEM NO.	PART NUMBER	DESCRIPTION	QTY.
1	901021306	SHEAR PLATE, K-BOLT	2
2	901022334	TIRE PAD ASSEMBLY, K-BOLT	1
3	901021326	TIRE PAD 10GA SHIM, K-BOLT	2
4	901021327	TIRE PAD 1/4" SHIM, K-BOLT	2
5	901022325	FRONT SHEAR PLATE SUPPORT ASSY, K-BOLT	1
6	901021310	RECT FLANGE 10GA SHIM, K-BOLT	6
7	901021311	RECT FLANGE 1/4" SHIM, TRUCK BOLT-ON	6
8	901022312	PINCH TUBE ASSEMBLY, K-BOLT	1
9	901022305	BUMPER ASSEMBLY, K-BOLT	1
10	901021303	BUMPER TUBE FLANGE 10GA SHIM, K-BOLT	2
11	901021304	BUMPER TUBE FLANGE 1/4" SHIM, K-BOLT	2
12*	904002364	CHAIN MOUNT BRACKET	2
13*	904009163	1" X 3-9/16" CAT 2 TOP LINK PINS	2
14*	904009164	RETENTION RING	2
15	901022332	WHEEL STOP ARM ASSEMBLY RS, K-BOLT	1
16	901022333	WHEEL STOP ARM ASSEMBLY CS, K-BOLT	1
17	901082316	WHEEL STOP ASSEMBLY RS, K-BOLT	1
18	901082317	WHEEL STOP ASSEMBLY CS, K-BOLT	1
19	904019167	3/4" X 6" GRADE 5 BOLT	4
20	904019168	3/4" TOP LOCK NUT	4
21	904009165	5/8" X 1-3/4" GRADE 8 BOLTS	36
22	904009166	5/8" TOP LOCK NUTS	36




*ITEMS NOT PART OF CORE ASSEMBLY. SHIPPED LOOSE.

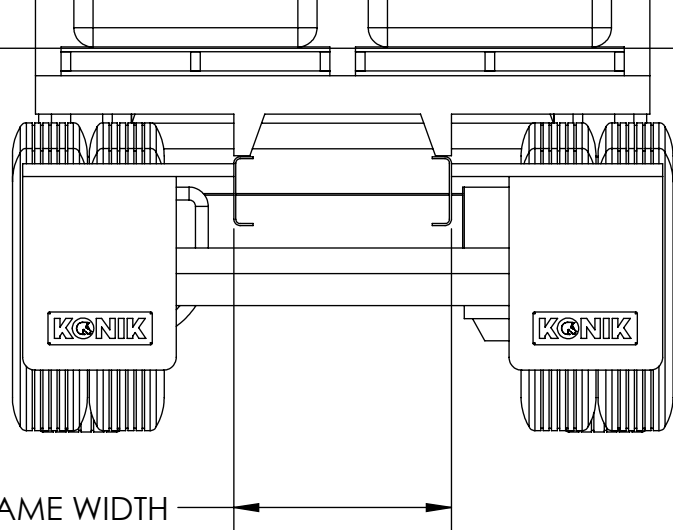
**FORWARD VIEW
LOOKING REAR FORWARD**

SCALE 1:32	EST.WT. [LB]	TOLERANCES UNLESS NOTED (INCH)	DATE 8/27/2025	TITLE K-BOLT TRUCK KIT (SIT-DOWN)
MATERIAL		SURFACE FINISH: NO BURR OR SHARP EDGES TOLERANCES: FRACTIONAL = $\frac{\text{X}}{\text{Y}}$ 0.060 X.XX = $\frac{\text{X}}{\text{Y}}$ 0.060 X.XXX = $\frac{\text{X}}{\text{Y}}$ 0.030 ANGULAR: $\frac{\text{X}}{\text{Y}}$ 1°	DRAWN BY AMH	
PROPRIETARY AND CONFIDENTIAL THE INFORMATION CONTAINED IN THIS DRAWING IS THE SOLE PROPERTY OF KONIK HEAVY DUTY PRODUCTS. ANY REPRODUCTION IN PART OR AS A WHOLE WITHOUT THE WRITTEN PERMISSION OF KONIK HEAVY DUTY PRODUCTS IS PROHIBITED.				
DWG NO. 901084093 on TRUCK				SHEET 1 OF 4 SIZE A



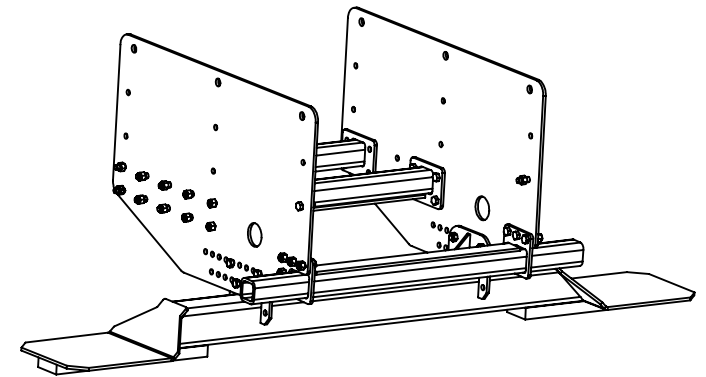
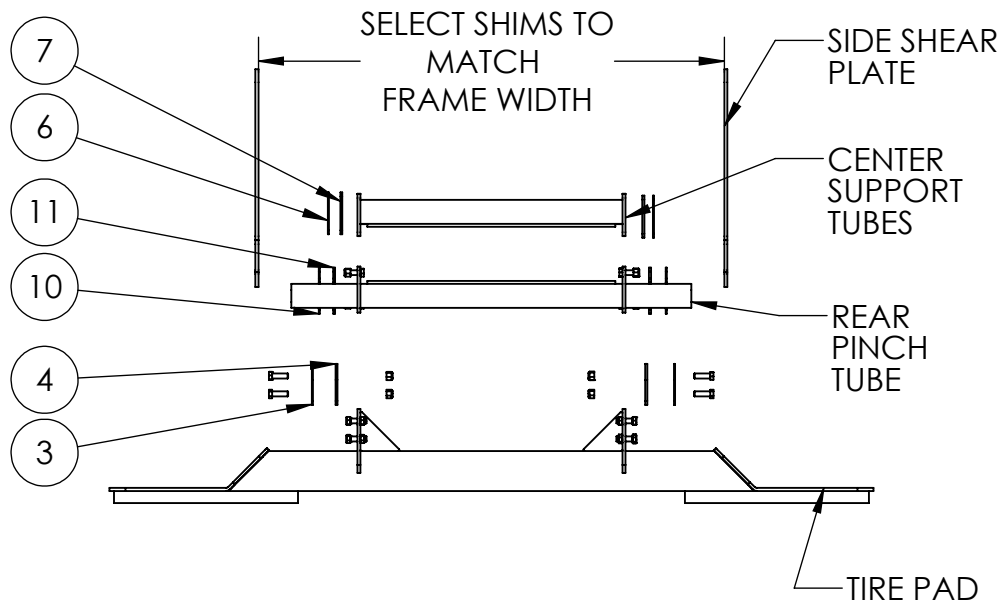
EXPLODED VIEW

SCALE 1:18	EST.WT. [LB]	TOLERANCES UNLESS NOTED (INCH)	DATE 8/27/2025	TITLE K-BOLT TRUCK KIT (SIT-DOWN)
MATERIAL		SURFACE FINISH: NO BURR OR SHARP EDGES TOLERANCES: FRACTIONAL = $\frac{\text{X}}{0.060}$ X.XX = $\frac{\text{X}}{0.060}$ X.XXX = $\frac{\text{X}}{0.030}$ ANGULAR: $\frac{\text{X}}{1^\circ}$	DRAWN BY AMH	
PROPRIETARY AND CONFIDENTIAL THE INFORMATION CONTAINED IN THIS DRAWING IS THE SOLE PROPERTY OF KONIK HEAVY DUTY PRODUCTS. ANY REPRODUCTION IN PART OR AS A WHOLE WITHOUT THE WRITTEN PERMISSION OF KONIK HEAVY DUTY PRODUCTS IS PROHIBITED.				SHEET 2 OF 4 DWG NO. 901084093 on TRUCK SIZE A

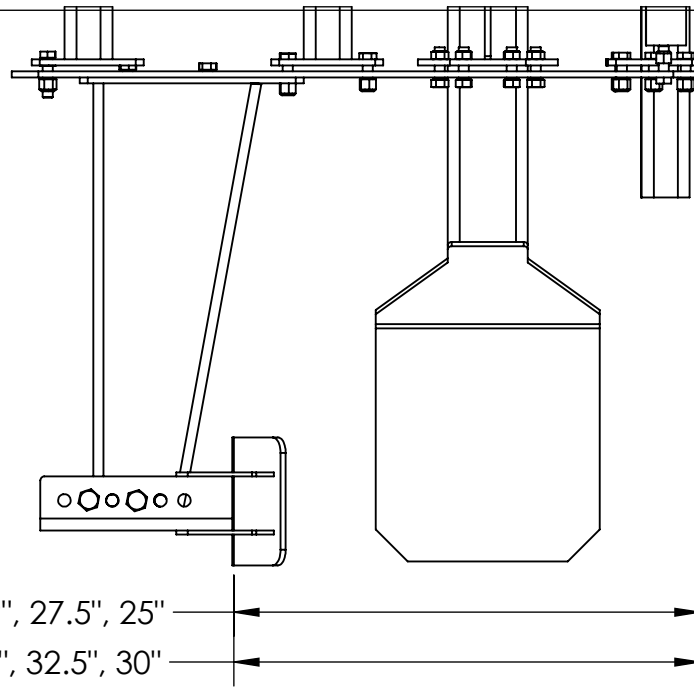
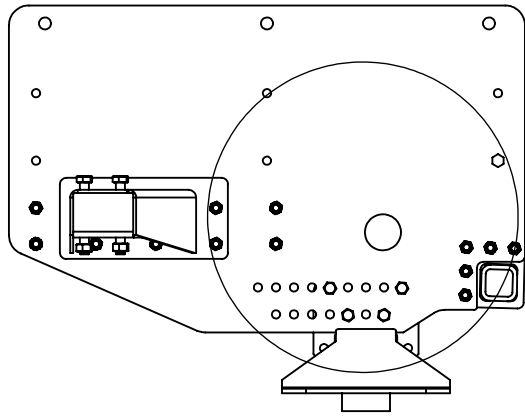


PART NUMBER	FRAME WIDTH	ROAD SIDE		CURB SIDE	
		1/8"	1/4"	1/4"	1/8"
901024561	33-1/2"				
901024560	33-5/8"	X			
901024562	33-3/4"	X			X
901024563	33-7/8"		X		X
901024564	34"		X	X	
901024565	34-1/8"	X	X	X	
901024566	34-1/4"	X	X	X	X

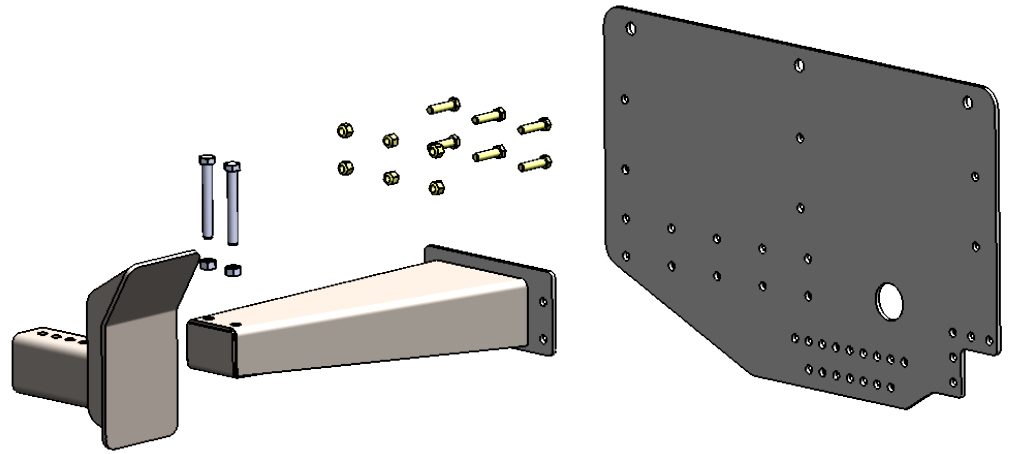
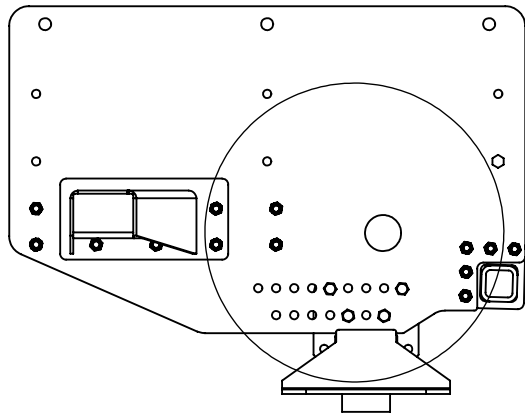
SHIMS




SCALE 1:15	EST.WT. [LB]	TOLERANCES UNLESS NOTED (INCH)	DATE 8/27/2025	TITLE K-BOLT TRUCK KIT (SIT-DOWN)
MATERIAL		SURFACE FINISH: NO BURR OR SHARP EDGES TOLERANCES: FRACTIONAL = ∇ 0.060 X.XX = ∇ 0.060 X.XXX = ∇ 0.030 ANGULAR: ∇ 1°	DRAWN BY AMH	
PROPRIETARY AND CONFIDENTIAL THE INFORMATION CONTAINED IN THIS DRAWING IS THE SOLE PROPERTY OF KONIK HEAVY DUTY PRODUCTS. ANY REPRODUCTION IN PART OR AS A WHOLE WITHOUT THE WRITTEN PERMISSION OF KONIK HEAVY DUTY PRODUCTS IS PROHIBITED.				SHEET 3 OF 4 DWG NO. 901084093 on TRUCK A SIZE



STANDARD LOCATION 30.5", 29", 27.5", 25"
 FORWARD LOCATION 35.5", 34", 32.5", 30"



SCALE 1:15	EST.WT. [LB]	TOLERANCES UNLESS NOTED (INCH)	DATE 8/27/2025	TITLE K-BOLT TRUCK KIT (SIT-DOWN)
MATERIAL		SURFACE FINISH: NO BURR OR SHARP EDGES TOLERANCES: FRACTIONAL = ∇ 0.060 X.XX = ∇ 0.060 X.XXX = ∇ 0.030 ANGULAR: ∇ 1°	DRAWN BY AMH	
PROPRIETARY AND CONFIDENTIAL THE INFORMATION CONTAINED IN THIS DRAWING IS THE SOLE PROPERTY OF KONIK HEAVY DUTY PRODUCTS. ANY REPRODUCTION IN PART OR AS A WHOLE WITHOUT THE WRITTEN PERMISSION OF KONIK HEAVY DUTY PRODUCTS IS PROHIBITED.				
DWG NO. 901084093 on TRUCK				SHEET 4 OF 4 SIZE A